

CHASE

- Extruded Aluminium radiator manufactured to BS EN442
- Combines low water content with high thermal efficiency
- Available in Matt White and Flat Anthracite
- Held in stock and delivered in 48-72 hours



Sizes and Prices

Please specify your finish of either Matt White or Flat Anthracite at time of order.

Dimensions (mm)		Elements	Output Δt 50°C		Product Code	Matt White Ex VAT	Matt White Inc VAT	Flat Anthracite Ex VAT	Flat Anthracite Inc VAT	Matt White +Valves Ex VAT	Matt White +Valves Inc VAT	Flat Anthracite +Valves Ex VAT	Flat Anthracite +Valves Inc VAT
Height	Width		Watts	Btu's									
Horizontal													
580	775	8	820	2798	CHAS587708DH	£514.00	£616.80	£529.00	£634.80	£582.00	£698.40	£632.00	£758.40
	965	10	1026	3501	CHAS589610DH	£633.00	£759.60	£652.00	£782.40	£701.00	£841.20	£755.00	£906.00
	1345	14	1436	4900	CHAS581314DH	£871.00	£1,045.20	£897.00	£1,076.40	£939.00	£1,126.80	£1,000.00	£1,200.00
Vertical													
1780	300	3	810	2764	CHAS173003DV	£492.00	£590.40	£507.00	£608.40	£560.00	£672.00	£610.00	£732.00
	395	4	1080	3685	CHAS173904DV♦	£632.00	£758.40	£651.00	£781.20	£700.00	£840.00	£754.00	£904.80
	490	5	1350	4606	CHAS174905DV	£772.00	£926.40	£795.00	£954.00	£840.00	£1,008.00	£898.00	£1,077.60
	585	6	1620	5527	CHAS175806DV	£911.00	£1,093.20	£939.00	£1,126.80	£979.00	£1,174.80	£1,042.00	£1,250.40

Please specify your finish of either Matt White or Flat Anthracite at time of order.

*+Valves Prices for Matt White include a choice of either Chrome or White, angled KINGSTON TRVs, (if you require straight valves please specify).

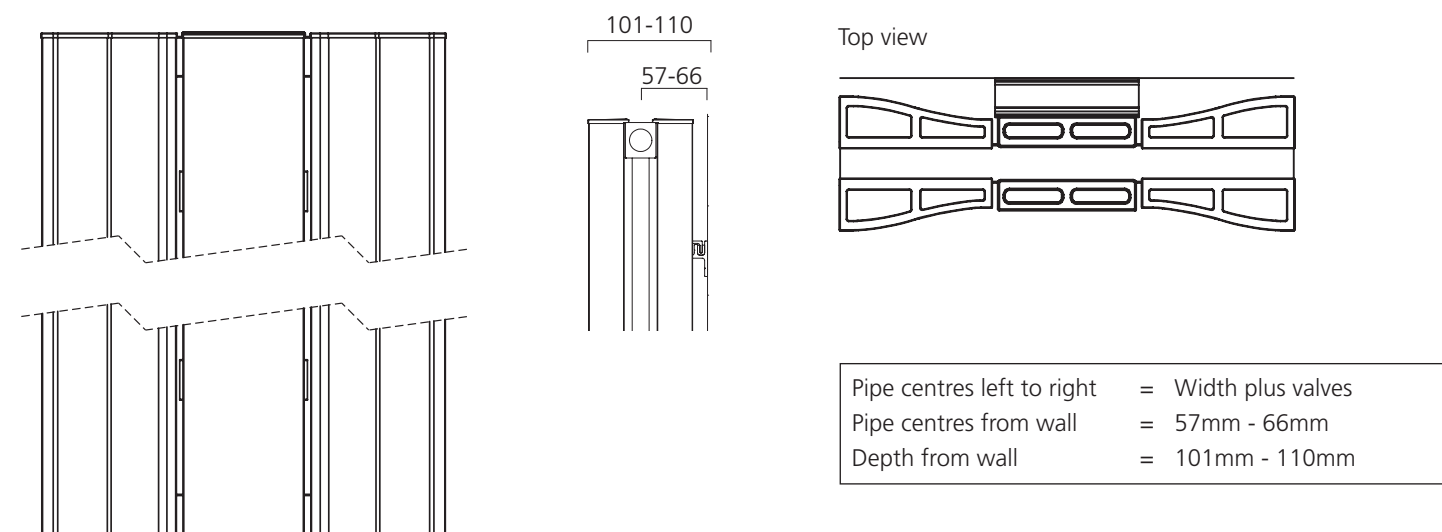
*+Valves Prices for Flat Anthracite include Nickel angled KINGSTON TRVs, (if you require straight valves please specify).



Horizontal in Matt White



Pipe Centres and Technical Drawings



Please note due to manufacturing tolerances widths shown may vary by +/- 2mm.



CHASE profile



♦ CHASE Vertical 1780mm x 395mm in Flat Anthracite with Nickel KINGSTON TRVs & matching pipe covers & shrouds..