

BOLEYN

- Classic steel towel rail with a steel multi column radiator
- Chrome with white RAL 9016 multi column sections
- Standard delivery 48-72 hours
- Optional next-day delivery available (pg.2)
- Dual fuel option available, please specify at time of order



Sizes and Prices

Dimensions (mm)			Sections	Output Δt 50°C		Product Code	Price Ex VAT	Price Inc VAT	Price +Valves Ex VAT	Price +Valves Inc VAT
Height	Width	Depth		Watts	Btu's					
Floor Standing										
965	540	230	5	392	1338	BOLE965405	£565.00	£678.00	£604.00	£724.80
	673	230	8	554	1890	BOLE966708	£672.00	£806.40	£711.00	£853.20
	765	230	10	653	2228	BOLE967610	£771.00	£925.20	£810.00	£972.00
Wall Mounted										
740	675	250	8	568	1938	BOLE746708	£787.00	£944.40	£826.00	£991.20

*+Valve Prices include Chrome WILLOW Valves, angled only.

The BOLEYN is suitable for use as dual fuel, please see below for supplement prices.

Supplement Prices for Dual Fuel Option

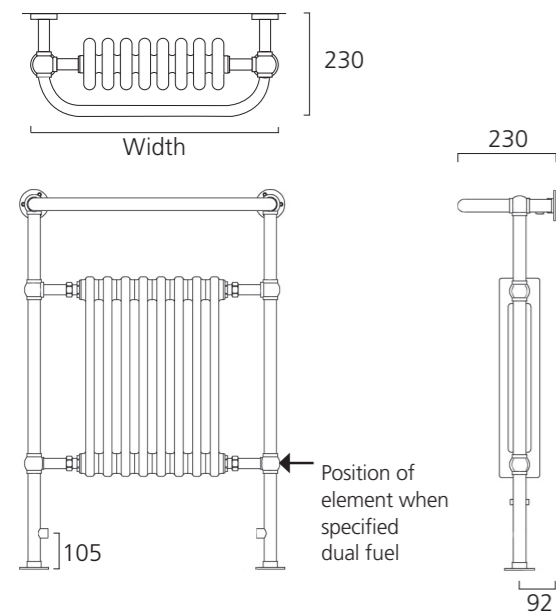
Description	Product Code	Price Ex VAT	Price Inc VAT
200W Dual Energy Element (for 5 Section Rail)	200WDEELE	£63.00	£75.60
400W Dual Energy Element (for 8 & 10 Section Rail)	400WDEELE	£72.00	£86.40

Please Note: Elements have an IP rating of 55 and are guaranteed for 2 years.

Pipe Centres and Technical Drawings

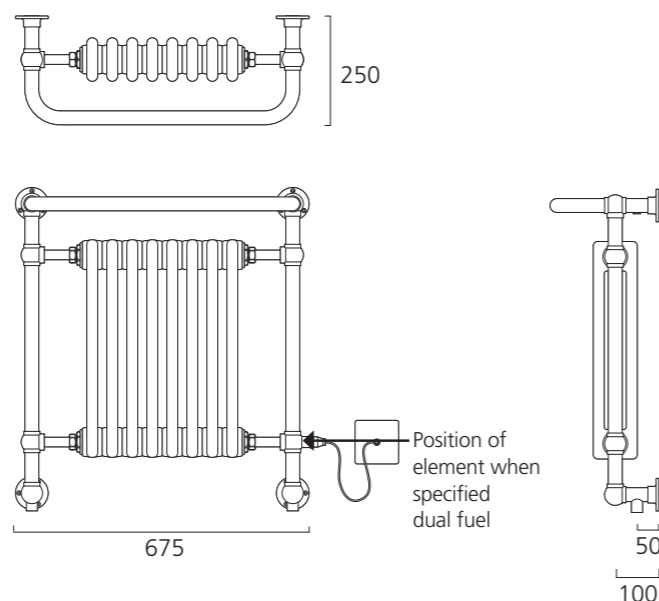
Boleyn Floor Standing

Pipe centres left to right = Width less 145mm less valves
 Pipe centres from wall = 92mm
 Depth from wall = 230mm



Boleyn Wall Mounted

Pipe centres left to right = Width less 75mm
 Pipe centres from wall = 50mm
 Depth from wall = 250mm



BOLEYN Wall Mounted option available

+Valves Prices include Chrome WILLOW Valves



Please specify at time of order



Dual Fuel option available



◆ BOLEYN Floor Standing 965mm x 765mm shown with WILLOW Valves.