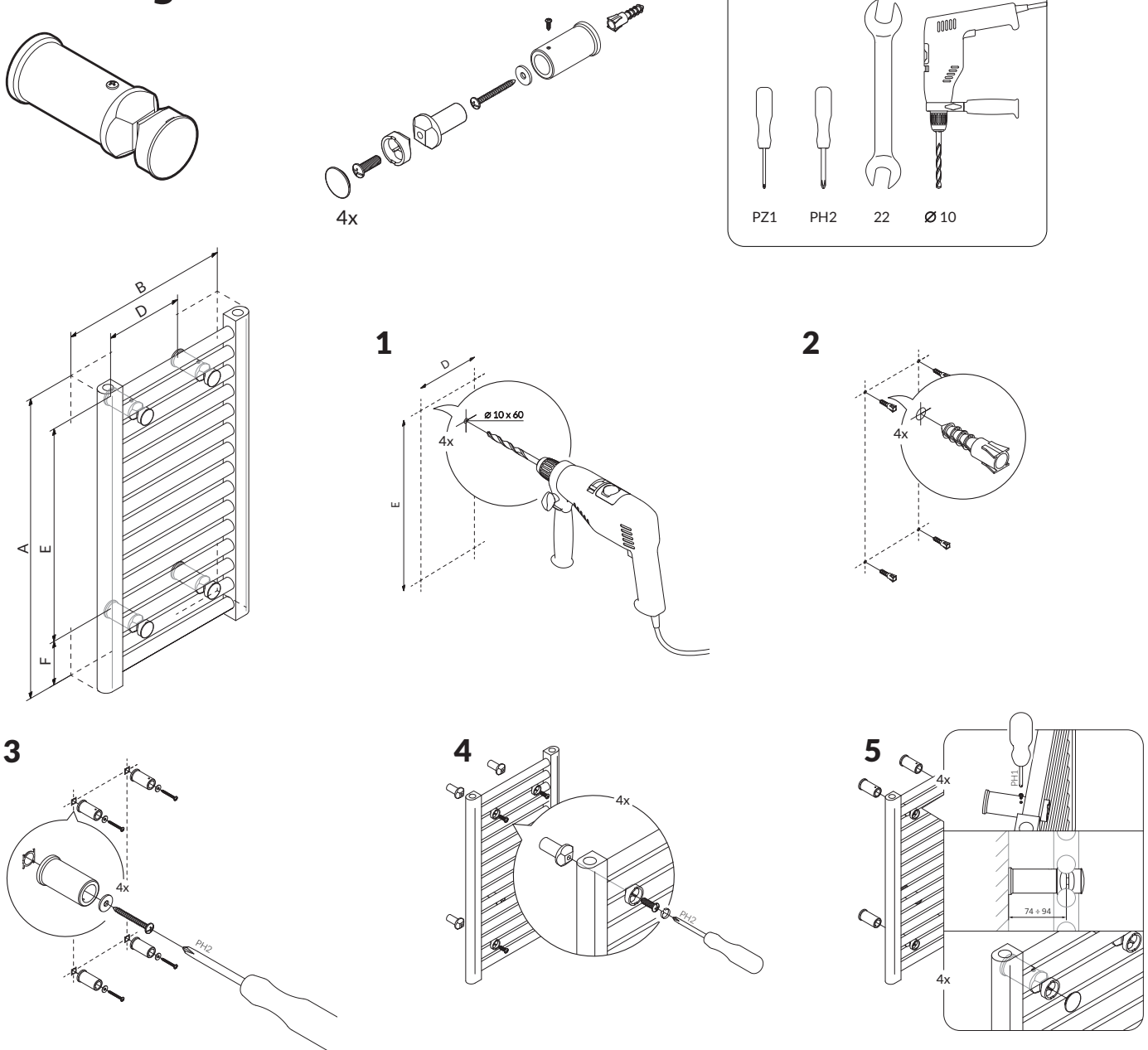


# ARGYLL Electric Fitting Instructions

Chrome electric towel rail with 22mm straight cross tubes

Please read these instructions and terms and conditions carefully prior to installation. Failure to do so may invalidate the warranty.

## Drawings



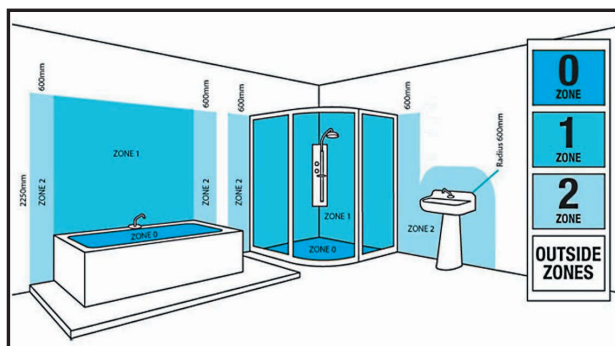
## 1. Unpack & Inspect

This product should have reached you in perfect condition. Please carefully unpack and inspect this radiator and all fittings. Your point of purchase must be notified of any shortages or damage within 28 days of delivery. For further information please see terms and conditions on page 3.

## 2. Electric towel rail - safety installation and use

1. Do not install the heater under an electrical socket point.
2. Your electric heater should be filled with a carefully measured amount of liquid. In the case of loss of heating medium, contact your supplier.
3. The device is not equipped with an external temperature controller. Do not use the device in a small room if unsupervised disabled or incapacitated individuals are inside it. Only use the device if those individuals are under constant supervision.
4. This device is not a toy. Children should not be allowed to operate the heater.
5. Note: Some parts of the radiator can be very hot and can cause burns. Pay special attention to the presence of children or people with disabilities.
6. To ensure the safety of very small children, install the electric towel rail so that the lowest tube is at least 600mm above the floor.
7. The device should only be installed by a qualified installer in accordance with the applicable regulations regarding safety and all other regulations.
8. All installations to which the device is connected should comply with regulations applicable in the country of installation and use.
9. Extension leads or electric plug adapters should not be used in order to supply power to the heater.
10. While connecting the radiator to electric installation ensure that the circuit has a 30 mA residual current circuit breaker and an appropriate over-current circuit breaker. With the permanent installation (cable connection without plug) it is also mandatory to have an omni-pole cut-out for disconnecting the device on all poles, by points of contact with the clearance of 3mm.
11. The device equipped with a supplying cable without plug can be installed in bathrooms in zone, as defined by applicable law, subject to any additional regulations concerning electrical installations in wet areas.
12. The device is recommended for use solely as described in the manual.
13. Ensure that the heater has been installed on a wall in accordance with its installation manual.

### Bathroom Zones



## 3. Electric heating element safety requirements - installation

1. Fitting and connection of the heating element should only be performed by a qualified installer.
2. Connect the unit to a sound electrical installation (see the ratings on the heater).
3. Ensure that the power cord does not touch the hot parts of the heating element or radiator.
4. Before installing or removing the device, make sure it is disconnected from the power source.
5. Do not open the device — any interference with internal components will invalidate the warranty.
6. The heating element's power output must not exceed the radiator's power output for the parameters 75/65/20° C.
7. The pressure in the radiator should not exceed 10 atm. Make sure an air cushion is preserved in electric radiators, in central heating systems leave one valve open to prevent pressure build up due to the thermal expansion of the liquid.
8. The device is intended for home use only.
9. Fitting and Installation of the device must be carried out in accordance with all local regulations for electrical safety, including installation in a permissible location only, maintaining bathroom electrical zones (see bathroom zones drawing above).

## 4. Safety requirements - use

1. The heating element must be fully submerged in the liquid during its operation.
2. Regularly check the device for damage to ensure it is safe to use.
3. If the power cord is damaged the device should not be used. Disconnect the device and contact the manufacturer or distributor.
4. Do not allow flooding into the heating element casing.
5. The heating element and towel rail can heat up to high temperatures. Please be cautious, avoid direct contact with hot parts of equipment.
6. Do not open the heating element casing.
7. The device is not a toy. Keep it out of the reach of children.
8. The device must be disconnected from the mains during cleaning and maintenance.

## 5. Contents

You should have:

- 1 Towel Rail
- 4 Wall Brackets

You will need:

- Tape measure
- Electric drill and bits
- Spirit level
- Appropriate wall fixings

## 6. Installing Towel Rail

Argyll Electric Towel Rails are supplied with 4 brackets which can be placed between the cross tubes to suit; we recommend placing the brackets in the second gap from the top and bottom (drawings on page 1).

## 7. Fix Brackets

1. Fit bracket heads to the towel rail in the desired position and slide the bracket sleeve on (do not secure with the retaining screw at this stage).
2. Place the towel rail against the wall and mark the position of the bracket sleeves (see drawings on page 1)
3. Remove the towel rail and using a bracket sleeve mark the location of the screw holes.
4. Using appropriate drill bits and screws, fix bracket sleeves to the wall (make sure that the locating holes for the retaining screws are accessible) and check they are level.
5. Hang the towel rail by inserting bracket heads into the bracket sleeves and secure with the retaining screws.

## 8. Operation

The Argyll Electric provides a simple entry level fixed temperature electrically heated towel rail, with a small stainless steel headed element. It features one heat setting of 65 degrees regulating the internal temperature of the radiator, without a timer, but with the compatibility for use with an external timer.

The built-in temperature limiter (65°C) protects against excessive temperature rise on the towel rail, but it is recommended to select a heating element power output ensuring the normal operation temperature does not exceed 60°C — this will guarantee long-term durability and reliability of the device.

The design of the heating element, as well as the physical properties of different heating fluids can cause uneven heat temperature distribution across the radiator. Lower towel rail tubes can be cold. Such a condition is completely normal and is not the result of a heating element fault.

## 9. Maintenance

Before performing maintenance, always unplug the unit from the mains .

Periodically check the fluid level in the towel rail and make sure the heating element is completely submerged.

Clean the product with a dry or damp cloth only or with a small amount of detergent containing no solvents or abrasives.

---

## Technical Specifications

<b>Materials</b>	Steel
<b>IP Rating</b>	67
<b>Insulation Class</b>	Class I
<b>Protection Degree</b>	IP67
<b>Cable length</b>	1500mm
<b>Packaging</b>	Packed in bubble wrap in a double walled cardboard box and heat shrink wrapped

Complies with European Standards / EN 60335-1:2012

## Guarantees & Liabilities

The towel rail is guaranteed for 10 years, the electric components are guaranteed for 2 years. As we are not the manufacturers of this product we will take all reasonable endeavours to make over to you the benefit of any warranty or guarantee given by the manufacturer.

The guarantees in all cases are subject to the products being installed in accordance with British and or European standards as well as these fitting instructions. The guarantees in all cases are restricted to the free of charge replacement or repair of the failed product only. Our liability will under no circumstances extend beyond the repair or replacement of the product supplied by us. Claims for either labour in replacement or damage to property are not admissible. Any goods that are returned, in the event of a problem, will belong to us.

## Terms & Conditions

All products must be inspected once removed from the packaging and your point of purchase notified within 28 days of delivery of any scratches, blemishes or other damage. Your point of purchase will then agree appropriate action. Imperfect radiators should therefore not be fitted and we will not accept responsibility for replacement of scratched or damaged radiators once they have been fitted. This includes any consequential loss or cost of fitting.

If we are not notified within 28 days of the date on the signed delivery note then it will be deemed that we have fully complied with our obligations and claims will not be considered. Failure to comply with any of the above may invalidate any claims.

We recommend that after you check the product on delivery that it is stored in its packaging to prevent damage prior to installation, we cannot accept responsibility for items damaged after delivery.

For full details of our Terms and Conditions please visit [supplies4heat.co.uk](http://supplies4heat.co.uk) or call us on 01342 306880.