

# WINSFORD Ladder Rail



- Italian design & manufacture, steel ladder rail, 25mm straight cross tubes
- White RAL 9016 as standard delivered in 48-72 hours
- 23 RAL colours, 10 special finishes, up to 8 working days (pg.12-13)
- Optional next-day delivery available (pg.2)
- Stocked Textured Anthracite & Matt Black sizes delivered in 48-72 hours

## Sizes and Prices

Please add 10% to the RAL colour price to work out your special finish price.

Dimensions (mm)		Cross Tubes	Output Δt 50°C		Product Code	White Ex VAT	White Inc VAT	RAL Colour Ex VAT	RAL Colour Inc VAT	White +Valves Ex VAT	White +Valves Inc VAT	RAL Colour +Valves Ex VAT	RAL Colour +Valves Inc VAT
Height	Width		Watts	Btu's									
759	500	12	332	1133	WINS755012	£91.00	£109.20	£211.00	£253.20	£120.00	£144.00	£240.00	£288.00
	600	12	388	1324	WINS756012	£107.00	£128.40	£246.00	£295.20	£136.00	£163.20	£275.00	£330.00
964	500	15	404	1378	WINS965015	£101.00	£121.20	£226.00	£271.20	£130.00	£156.00	£255.00	£306.00
	600	15	471	1607	WINS966015	£124.00	£148.80	£280.00	£336.00	£153.00	£183.60	£309.00	£370.80
1374	500	21	578	1972	WINS135021	£120.00	£144.00	£275.00	£330.00	£149.00	£178.80	£304.00	£364.80
	600	21	674	2300	WINS136021	£144.00	£172.80	£362.00	£434.40	£173.00	£207.60	£391.00	£469.20

\*+Valves Prices include angled Chrome DRAKE Valves, please specify at time of order if you require straight valves.  
The WINSFORD Ladder Rail is suitable for use as dual fuel.

## STOCKED TEXTURED ANTHRACITE & MATT BLACK SIZES AVAILABLE FOR DELIVERY IN 48-72 HOURS

Dimensions (mm)		Cross Tubes	Output Δt 50°C		Product Code	Price Ex VAT	Price Inc VAT	Price +Valves Ex VAT	Price +Valves Inc VAT
Height	Width		Watts	Btu's					
<b>Textured Anthracite</b>									
759	500	12	332	1133	WINS755012TA	£151.00	£181.20	£250.00	£300.00
964		15	404	1378	WINS965015TA	£163.00	£195.60	£262.00	£314.40
1374		21	578	1972	WINS135021TA	£196.00	£235.20	£295.00	£354.00
<b>Matt Black</b>									
759	500	12	332	1133	WINS755012MB	£151.00	£181.20	£250.00	£300.00
964		15	404	1378	WINS965015MB	£163.00	£195.60	£262.00	£314.40
1374		21	578	1972	WINS135021MB	£196.00	£235.20	£295.00	£354.00



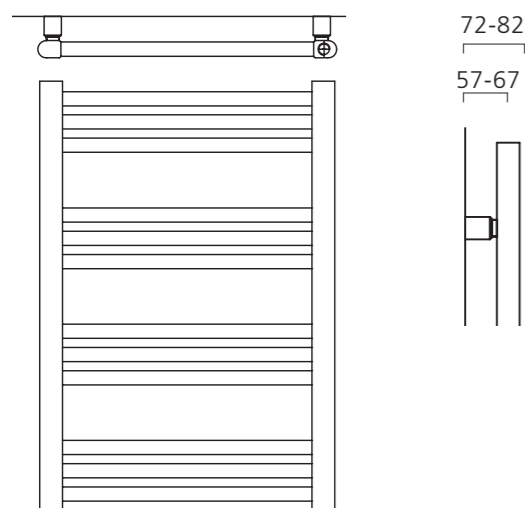
Textured Anthracite



Matt Black

\*+Valves Prices include matching angled SHELLEY Valves, please specify at time of order if you require straight valves.  
The WINSFORD Ladder Rail is suitable for use as dual fuel.

## Pipe Centres and Technical Drawings



Pipe centres left to right = Width less 44mm  
Pipe centres from wall = 57mm - 67mm  
Depth from wall = 72mm - 82mm



1374 x 600  
in White RAL 9016



◆ WINSFORD Ladder Rail 1374mm x 500mm in Textured Anthracite shown with matching SHELLEY Valves.