

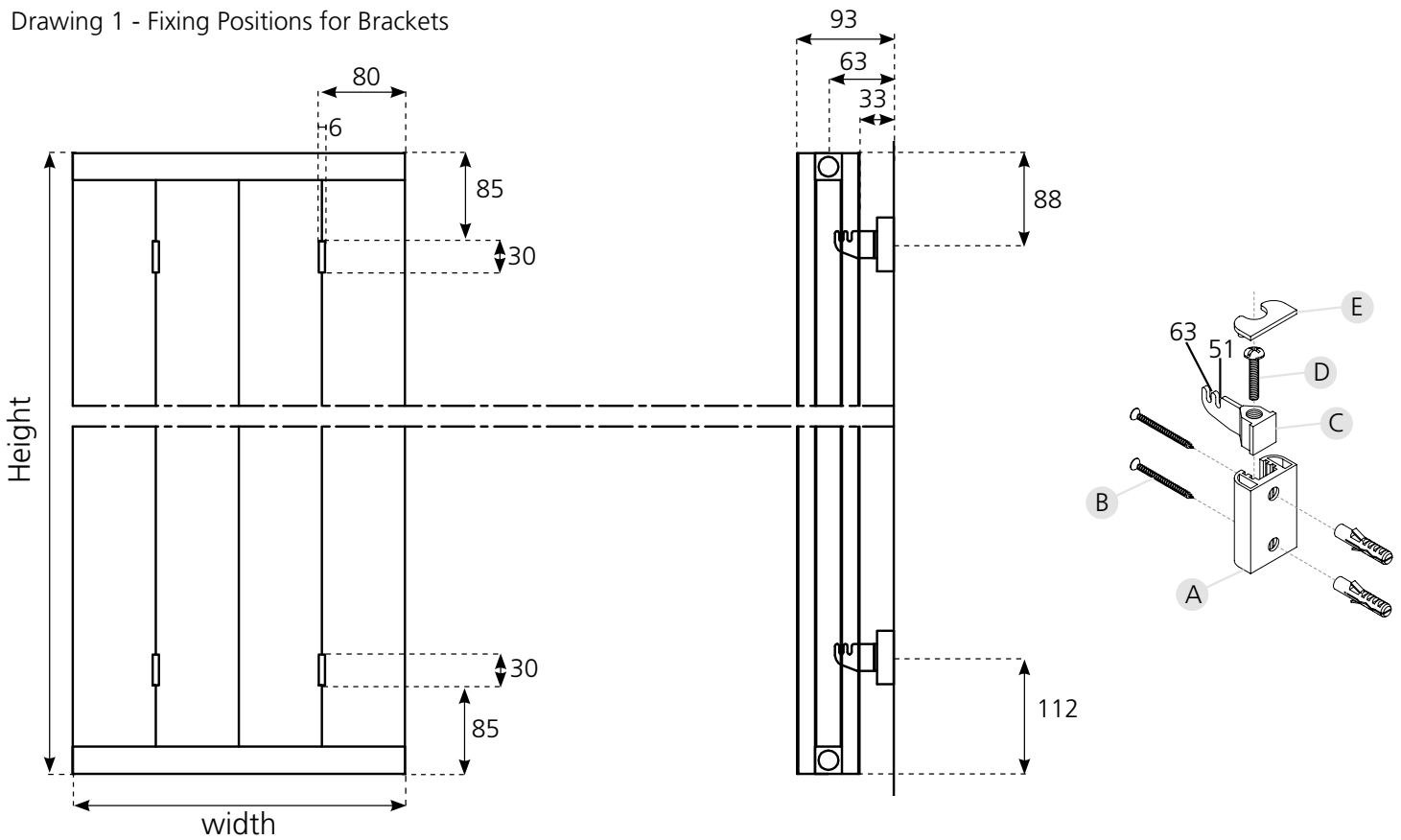
# Hadlow Fitting Instructions

Please read these instructions and terms and conditions carefully prior to installation. Failure to do so may invalidate the warranty.



## Drawings

Drawing 1 - Fixing Positions for Brackets



## Pipe Centres

Pipe centres left to right	=	width plus valves
Pipe centres from wall	=	63mm (to hang on the second space of bracket) 51mm (to hang on the first)
Depth from wall	=	93mm (to hang on the second space of bracket) 81 mm (to hang on the first)

## 1. Unpack & Inspect

This product should have reached you in perfect condition. Please carefully unpack and inspect this radiator and all fittings. Your point of purchase must be notified of any shortages or damage within 28 days of delivery. For further information please see terms and conditions on reverse.

## 2. Contents

You should have:

- 1 Radiator
- 4 Bracket Closing Caps **E**
- 4 Bracket Hooks **C**
- 4 Bracket Back Plates **A**
- 4 Bracket Screws **D**

You will need:

- Tape measure
- Electric drill and bits
- Spirit level
- Airvent key
- Appropriate wall fixings
- Spanner for valves and vents

## 3. Installing radiator

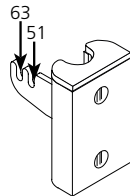
Refer to diagrams overleaf when installing

1. Accurately mark bracket holes on the wall using a tape measure and spirit level. The bracket centres are positioned 88mm down from the top collector, and 80mm from either side. (*Height of the radiator from floor: minimum 100mm*)

2. Using suitable drill bits and plugs, insert suitable wall plugs. To hang the top two brackets, secure the backplate 'A' with screws 'B' (or other suitable screws) going through into the wall plugs.

3. Insert the brackets 'C' down into the back plate 'A' and secure with the provided screw 'D'. Then fit the closing cap 'E' on top.

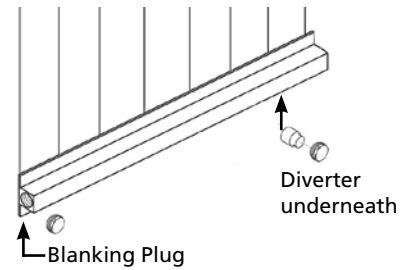
4. Hang the radiator on the **second space to fit for 63mm, first space for 51mm pipe centre from wall**



5. Once hung on top brackets mark the bottom of the radiator on the wall. Remove and measure lower bracket positions as per diagram.

## 4. Identifying the diverter

The diverter is marked with a yellow cap and is fitted on the underside of the collector. The diverter can be removed and swapped to the other side if required.



However, we will not be liable for any damages to the radiator or paint finish as a result of moving the diverter.

**To Move the Diverter:** The diverter is situated behind the blanking plug on the bottom of the end collector. (on side marked with yellow plug) Remove both the blanking plugs. Lift out the cylindrical diverter and place it directly into the opposite collector sleeve. Replace blanking plugs. (Please see diagram above).

## 5. Commission Radiator

**Please Note: In accordance with Part L1 2006 of the Building Regulations and BS7593:1992 code of practice for the treatment of hot water and central heating systems, we strongly recommend flushing the heating system post installation of new radiators and then adding the correct quantity and type of inhibitor for use with your radiator and system to prevent corrosion. Damage caused to systems not protected by a suitable inhibitor will not be covered by manufacturer's guarantee.**

## Technical Specifications

<b>Materials</b>	Aluminium
<b>Connections</b>	½" flow and return.
<b>Test pressure</b>	9 Bar
<b>Testing authority</b>	EN442
<b>Maximum operating pressure</b>	6 Bar
<b>Maximum working temperature</b>	90 °C
<b>Packaging</b>	Polystyrene protection in cardboard box

**PLEASE NOTE:** To reduce the possibility of noise caused by rapid heating and cooling of aluminium radiators; adequate capacity for expansion must be provided within the overall heating system. Systems using micro bore pipework must have adequate pressure and flow rates for the number and style of radiators on the system.

## Guarantees & Liabilities

This product is guaranteed for 5 years. As we are not the manufacturers of this product we will take all reasonable endeavours to make over to you the benefit of any warranty or guarantee given by the manufacturer.

The guarantees in all cases are subject to the products being installed in accordance with British and or European standards as well as these fitting instructions. The guarantees in all cases are restricted to the free of charge replacement or repair of the failed product only. Our liability will under no circumstances extend beyond the repair or replacement of the product supplied by us. Claims for either labour in replacement or damage to property are not admissible. Any goods that are returned, in the event of a problem, will belong to us.

## Terms & Conditions

All products must be inspected once removed from the packaging and your point of purchase notified within 28 days of delivery of any scratches, blemishes or other damage. Your point of purchase will then agree appropriate action.

Imperfect radiators should therefore not be fitted and we will not accept responsibility for replacement of scratched or damaged radiators once they have been fitted. This includes any consequential loss or cost of fitting.

If we are not notified within 28 days of the date on the signed delivery note then it will be deemed that we have fully complied with our obligations and claims will not be considered.

Failure to comply with any of the above may invalidate any claims. We recommend that after you check the product on delivery that it is stored in its packaging to prevent damage prior to installation, we cannot accept responsibility for items damaged after delivery.

For full details of our Terms and Conditions please visit [www.supplies4heat.co.uk](http://www.supplies4heat.co.uk) or call us on 01342 306880.