

TALLIS Horizontal

- Italian design & manufacture, certified to EN442
- +Valves prices include Chrome or White KINGSTON TRV's*
- 50mm x 25mm Oval Tube Steel Radiator
- Available in Single & Double in 2 heights and 2 widths
- Standard White RAL 9016 delivered in 48-72 hours
- 25 RAL colours, 5 special finishes, up to 15 working days (pages 74-75)



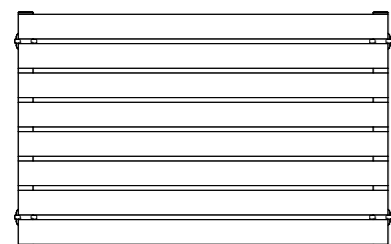
◆ TALLIS Single Horizontal in special finish Carbon, 600mm x 1020mm shown with KINGSTON TRV's.

Sizes and Prices

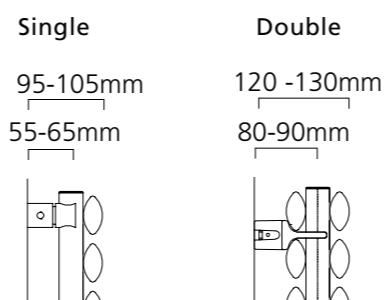
Dimensions (mm)		Elements	Output Δt 50°C		Product Code	White Ex VAT	White Inc VAT	Colour Ex VAT	Colour Inc VAT	White +Valves Ex VAT	White +Valves Inc VAT	Colour +Valves Ex VAT	Colour +Valves Inc VAT
Height	Width		Watts	Btu's									
Horizontal - Single													
420	1020	7	481	1641	TALL421007SH	£195.00	£234.00	£303.00	£363.60	£252.00	£302.40	£360.00	£432.00
420	1220	7	576	1965	TALL421207SH	£201.00	£241.20	£311.00	£373.20	£258.00	£309.60	£368.00	£441.60
420	1520	7	717	2446	TALL421507SH	£225.00	£270.00	£339.00	£406.80	£282.00	£338.40	£396.00	£475.20
480	1020	8	549	1873	TALL481008SH	£215.00	£258.00	£337.00	£404.40	£272.00	£326.40	£394.00	£472.80
480	1220	8	634	2163	TALL481208SH	£217.00	£260.40	£356.00	£427.20	£274.00	£328.80	£413.00	£495.60
480	1520	8	818	2791	TALL481508SH	£258.00	£309.60	£387.00	£464.40	£315.00	£378.00	£444.00	£532.80
600	1020	10	673	2296	TALL601010SH ◆	£251.00	£301.20	£403.00	£483.60	£308.00	£369.60	£460.00	£552.00
600	1220	10	793	2706	TALL601210SH	£270.00	£324.00	£443.00	£531.60	£327.00	£392.40	£500.00	£600.00
600	1520	10	1023	3490	TALL601510SH	£322.00	£386.40	£484.00	£580.80	£379.00	£454.80	£541.00	£649.20
Horizontal - Double													
420	1020	14	748	2552	TALL421014DH	£298.00	£357.60	£421.00	£505.20	£355.00	£426.00	£478.00	£573.60
420	1220	14	895	3054	TALL421214DH	£324.00	£388.80	£451.00	£541.20	£381.00	£457.20	£508.00	£609.60
420	1520	14	1115	3804	TALL421514DH	£371.00	£445.20	£491.00	£589.20	£428.00	£513.60	£548.00	£657.60
480	1020	16	855	2917	TALL481016DH	£341.00	£409.20	£470.00	£564.00	£398.00	£477.60	£527.00	£632.40
480	1220	16	1006	3432	TALL481216DH	£348.00	£417.60	£516.00	£619.20	£405.00	£486.00	£573.00	£687.60
480	1520	16	1274	4347	TALL481516DH	£424.00	£508.80	£561.00	£673.20	£481.00	£577.20	£618.00	£741.60
600	1020	20	1048	3576	TALL601020DH	£398.00	£477.60	£577.00	£692.40	£455.00	£546.00	£634.00	£760.80
600	1220	20	1257	4289	TALL601220DH	£420.00	£504.00	£626.00	£751.20	£477.00	£572.40	£683.00	£819.60
600	1520	20	1593	5435	TALL601520DH	£505.00	£606.00	£676.00	£811.20	£562.00	£674.40	£733.00	£879.60

*+Valves Prices include Chrome or White KINGSTON TRV's, please specify colour and angled or straight at time of order.

Pipe Centres and Technical Drawings



Single Horizontal Pipe centres left to right = Width less 30mm Pipe centres from wall = 55mm - 65mm Depth from wall = 95mm - 105mm	Double Horizontal Pipe centres left to right = Width less 30mm Pipe centres from wall = 80mm - 90mm Depth from wall = 120mm - 130mm
--	---



NEW SPECIAL FINISHES (shown left to right)
 Carbon, Gun Metal Grey, Mottled Copper, Mottled Silver, Textured Matt Black, see pages 74-75 for more information.

Please note: Due to printing processes & manufacturing tolerances the colour of finished radiators may vary from the colours represented in this brochure.



Single Horizontal in special finish Carbon.



Also available in Vertical (p.40-41).

+Valves Prices include Chrome or White KINGSTON TRV's in angled or straight.

Please specify at time of order

TALLIS Vertical

- Italian design & manufacture, certified to EN442
- +Valves prices include Chrome or White KINGSTON TRV's*
- 50mm x 25mm Oval Tube Steel Radiator
- Available in Single & Double in 1 heights and 3 widths
- Standard White RAL 9016 delivered in 48-72 hours
- 25 RAL colours, 5 special finishes, up to 15 working days (pages 74-75)

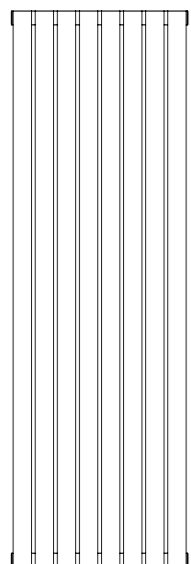


Sizes and Prices

Dimensions (mm)		Elements	Output Δt 50°C		Product Code	White Ex VAT	White Inc VAT	Colour Ex VAT	Colour Inc VAT	White +Valves Ex VAT	White +Valves Inc VAT	Colour +Valves Ex VAT	Colour +Valves Inc VAT
Height	Width		Watts	Btu's									
Vertical - Single													
1820	300	5	621	2119	TALL183005SV	£176.00	£211.20	£294.00	£352.80	£233.00	£279.60	£351.00	£421.20
	420	7	872	2975	TALL184207SV	£213.00	£255.60	£365.00	£438.00	£270.00	£324.00	£422.00	£506.40
	480	8	994	3392	TALL184808SV	£241.00	£289.20	£418.00	£501.60	£298.00	£357.60	£475.00	£570.00
	600	10	1242	4238	TALL186010SV	£301.00	£361.20	£526.00	£631.20	£358.00	£429.60	£583.00	£699.60
Vertical - Double													
1820	300	10	940	3207	TALL183010DV	£286.00	£343.20	£422.00	£506.40	£343.00	£411.60	£479.00	£574.80
	420	14	1331	4541	TALL184214DV	£357.00	£428.40	£530.00	£636.00	£414.00	£496.80	£587.00	£704.40
	480	16	1504	5132	TALL184816DV	£400.00	£480.00	£606.00	£727.20	£457.00	£548.40	£663.00	£795.60
	600	20	1880	6415	TALL186020DV	£474.00	£568.80	£725.00	£870.00	£531.00	£637.20	£782.00	£938.40

**Valves Prices include Chrome or White KINGSTON TRV's, please specify colour and angled or straight at time of order.

Pipe Centres and Technical Drawings



Single Vertical

Pipe centres left to right = Width plus valves
 Pipe centres from wall = 55mm - 65mm
 Depth from wall = 95mm - 105mm

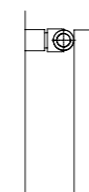
Double Vertical

Pipe centres left to right = Width plus valves
 Pipe centres from wall = 80mm - 90mm
 Depth from wall = 120mm - 130mm

Single

95 - 105mm

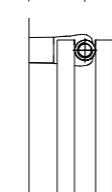
55 - 65mm



Double

120 - 130mm

80 - 90mm



+Valves Prices include Chrome or White KINGSTON TRV's in angled or straight.

Please specify at time of order



TALLIS Ladder Rail in RAL 9016 (p.50-51).



♦ TALLIS Double Vertical RAL 9005 1820mm x 480mm shown with KINGSTON TRV's.

25 RAL colours & 5 special finishes available; delivery in up to 15 working days see pages 74-75 for more information

