

## Cleves Floor Standing Fitting Instructions

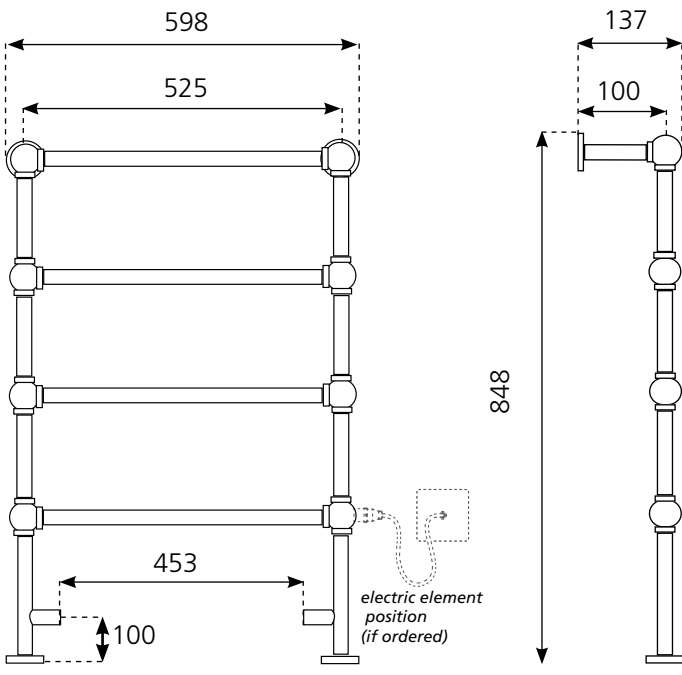
### Classic Steel Towel Rail

Please read these instructions and terms and conditions carefully prior to installation. Failure to do so may invalidate the warranty.

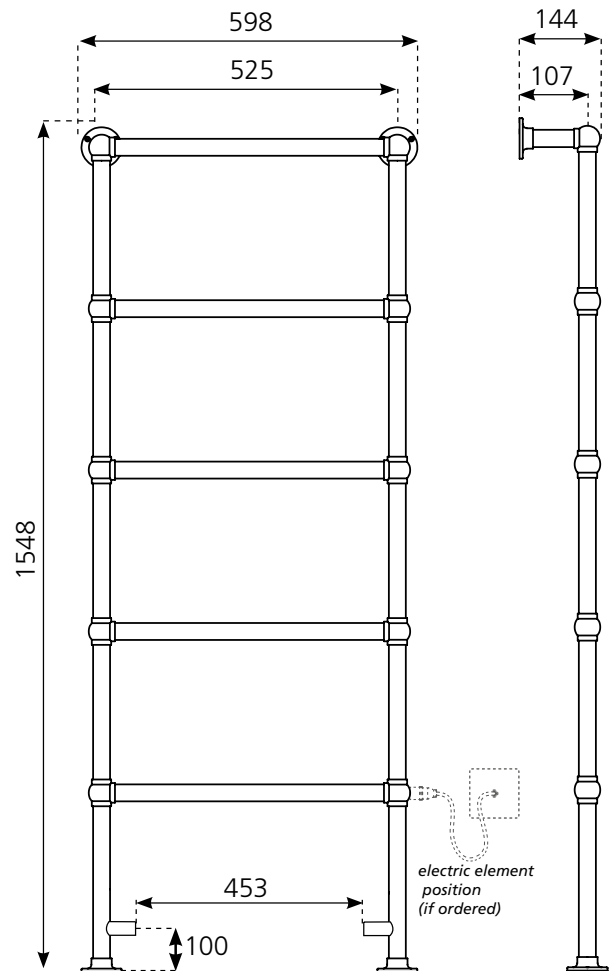


## Drawings

Cleves 848mm High



Cleves 1548mm High



## Pipe Centres

	848mm High	1548mm High
Pipe centres left to right	= width less 145mm less valves	width less 145mm less valves
Pipe centres from floor	= 100mm	100mm
Pipe centres from wall	= 100mm	107mm
Depth from wall	= 137mm	144mm

# 1. Unpack & Inspect

This product should have reached you in perfect condition. Please carefully unpack and inspect this radiator and all fittings. Your point of purchase must be notified of any shortages or damage within 28 days of delivery. For further information please see terms and conditions at the bottom of the page.

## 2. Contents

### You should have:

- 1 Towel Rail
- 12 Fixing Screws
- Electric Element (if ordered)

### You will need:

- Tape Measure
- Electric Drill and bits
- Spirit level
- Air vent key
- Suitable wall fixings
- Spanners for air vents and valves

## 3. Install Radiator

Place the radiator in the desired final position, and mark through the bracket hole positions on the wall and floor. To accurately mark the positions ensure the radiator is not moved between marking brackets.

Using a suitable drill bit, screws and plugs, fix the brackets and level with a spirit level. Please see diagrams overleaf.

### PLEASE NOTE:

It is essential that all brackets are level and square prior to hanging the radiator to ensure a vertical alignment for connecting the pipework.

## 4. Commission Radiator

When commissioning your Towel Rail on an indirect/closed system we recommend using a suitable mixed metal inhibitor to protect against scale & corrosion.

Damage caused to systems not protected by a suitable inhibitor will not be covered by manufacturer's guarantee.

## 5. Optional Electrical Element

If you have chosen to add an electric element to your Towel Rail please note the access point can be found on the right hand side on the first joint up from the floor.

Prior to fitting the Towel Rail or with the Towel Rail drained down use a large flat head screw driver to remove the blanking plug, carefully insert the element and tighten.

The element should be wired and installed according to its instructions and be carried out by a competent Part P registered electrician and must follow appropriate legislation governing electrical installations.

Electrical element has a guarantee of 2 years.

---

## Technical Specifications

<b>Materials</b>	Steel
<b>Connections</b>	½" flow and return.
<b>Test pressure</b>	6.9 Bar
<b>Testing authority</b>	EN441
<b>Maximum operating pressure</b>	1.5 Bar
<b>Maximum working temperature</b>	80°C
<b>Packaging</b>	Cardboard and foam protection in cardboard box

PLEASE NOTE: Systems using micro bore pipework must have adequate pressure and flow rates for the number and style of radiators on the system.

## Guarantees & Liabilities

This product is guaranteed for 10 years. As we are not the manufacturers of this product we will take all reasonable endeavours to make over to you the benefit of any warranty or guarantee given by the manufacturer.

The guarantees in all cases are subject to the products being installed in accordance with British and or European standards as well as these fitting instructions. The guarantees in all cases are restricted to the free of charge replacement or repair of the failed product only. Our liability will under no circumstances extend beyond the repair or replacement of the product supplied by us. Claims for either labour in replacement or damage to property are not admissible. Any goods that are returned, in the event of a problem, will belong to us.

## Terms & Conditions

All products must be inspected once removed from the packaging and your point of purchase notified within 28 days of delivery of any scratches, blemishes or other damage. Your point of purchase will then agree appropriate action.

Imperfect radiators should therefore not be fitted and we will not accept responsibility for replacement of scratched or damaged radiators once they have been fitted. This includes any consequential loss or cost of fitting.

If we are not notified within 28 days of the date on the signed delivery note then it will be deemed that we have fully complied with our obligations and claims will not be considered. Failure to comply with any of the above may invalidate any claims. We recommend that after you check the product on delivery that it is stored in its packaging to prevent damage prior to installation, we cannot accept responsibility for items damaged after delivery. For full details of our Terms and Conditions please visit [www.supplies4heat.co.uk](http://www.supplies4heat.co.uk) or call us on 01342 306880.

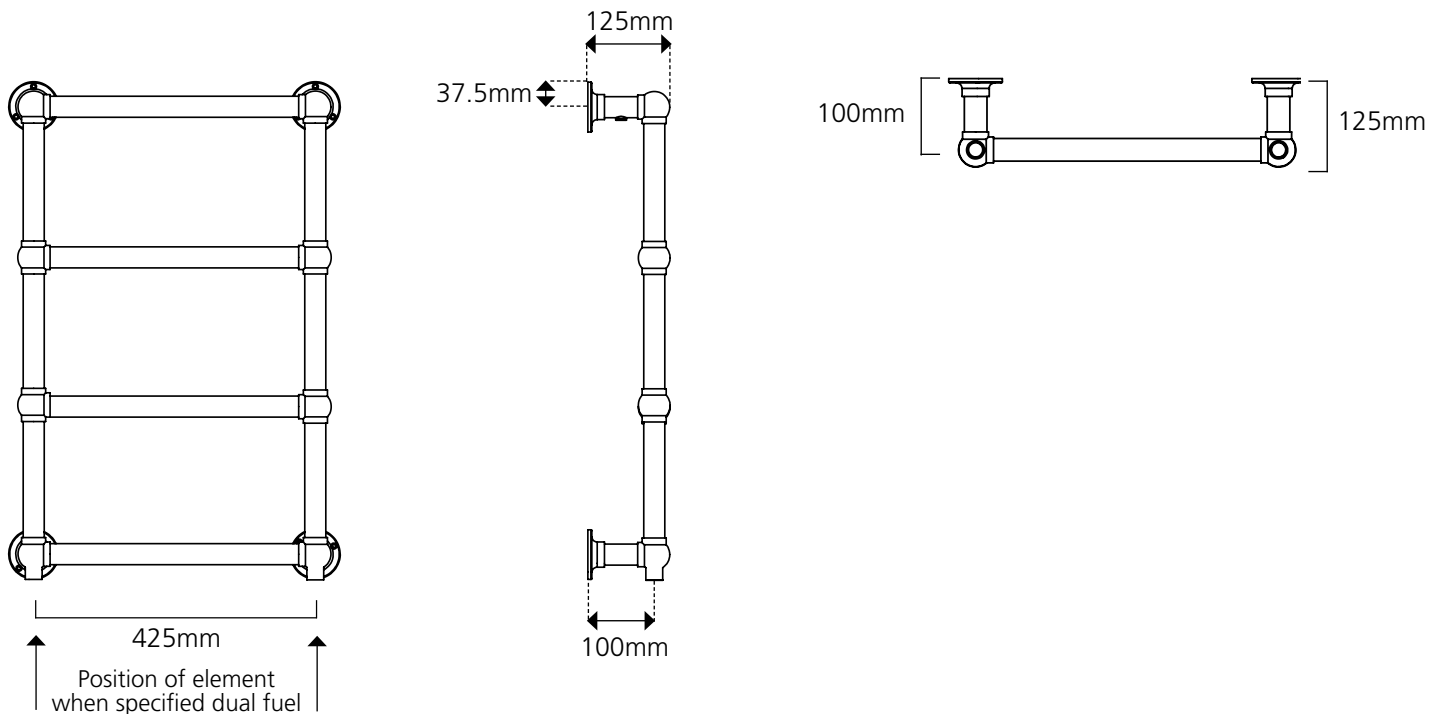
## Cleves Wall Hung Fitting Instructions

### Classic Steel Towel Rail

Please read these instructions and terms and conditions carefully prior to installation. Failure to do so may invalidate the warranty.



### Drawings



### Pipe Centres

Pipe centres left to right	=	Width less 75mm (425mm)
Pipe centres from wall	=	100mm
Depth from wall	=	125mm

### 1. Unpack & Inspect

This product should have reached you in perfect condition. Please carefully unpack and inspect this radiator and all fittings. Your point of purchase must be notified of any shortages or damage within 28 days of delivery. For further information please see terms and conditions overleaf.

## 2. Contents

You should have:

- 1 Towel Rail
- 12 Fixing Screws
- Electric Element (if ordered)

You will need:

- Tape Measure
- Electric Drill and bits
- Spirit level
- Air vent key
- Suitable wall fixings
- Spanners for air vents and valves

## 3. Fix Brackets

The Cleves Wall Hung has 4 brackets, each with three fixing holes. These brackets are fixed to the radiator.

1. Place the Towel Rail in its final position against the wall and mark the location of the 6 wall screw holes for the top 2 brackets.
2. Remove the Towel Rail and check the markings are horizontally level. Then using suitable drill bits and fixings, fix suitable wall plugs into the wall on the markings.
3. Lift up the radiator to check the bracket holes line up with the wall plugs and mark through the fixing holes for the bottom two brackets.
4. Using suitable drills bits and fixings, fix suitable wall plugs to the bottom bracket markings.
5. Offer up the radiator and first fix the top two brackets with suitable screws and repeat for the bottom.

## 4. Hang & Commission Radiator

When commissioning your radiator on an indirect/closed system we recommend using a suitable quality and quantity of mixed metal inhibitor to protect against scale & corrosion.

**Damage caused to systems not protected by a suitable inhibitor will not be covered by manufacturer's guarantee.**

**PLEASE NOTE:** Systems using micro bore pipework must have adequate pressure and flow rates for the number and style of radiators on the system.

## 5. Optional Electrical Element

If you have chosen to add an electric element to your Towel Rail please note the access point is shown on the drawings overleaf.

Prior to fitting the Towel Rail or with the Towel Rail drained down use a large flat head screw driver to remove the blanking plug, carefully insert the element and tighten.

The element should be wired and installed according to its instructions and be carried out by a competent Part P registered electrician and must follow appropriate legislation governing electrical installations.

Electrical Element has a guarantee of 2 years.

---

## Technical Specifications

<b>Materials</b>	Steel
<b>Connections</b>	½" flow and return.
<b>Test pressure</b>	6.9 Bar
<b>Testing authority</b>	EN441
<b>Maximum operating pressure</b>	1.5 Bar
<b>Maximum working temperature</b>	80°C
<b>Packaging</b>	Cardboard and foam protection in cardboard box

## Guarantees & Liabilities

This product is guaranteed for 10 years. As we are not the manufacturers of this product we will take all reasonable endeavours to make over to you the benefit of any warranty or guarantee given by the manufacturer.

The guarantees in all cases are subject to the products being installed in accordance with British and or European standards as well as these fitting instructions. The guarantees in all cases are restricted to the free of charge replacement or repair of the failed product only. Our liability will under no circumstances extend beyond the repair or replacement of the product supplied by us. Claims for either labour in replacement or damage to property are not admissible. Any goods that are returned, in the event of a problem, will belong to us.

## Terms & Conditions

All products must be inspected once removed from the packaging and your point of purchase notified within 28 days of delivery of any scratches, blemishes or other damage. Your point of purchase will then agree appropriate action.

Imperfect radiators should therefore not be fitted and we will not accept responsibility for replacement of scratched or damaged radiators once they have been fitted. This includes any consequential loss or cost of fitting.

If we are not notified within 28 days of the date on the signed delivery note then it will be deemed that we have fully complied with our obligations and claims will not be considered.

Failure to comply with any of the above may invalidate any claims. We recommend that after you check the product on delivery that it is stored in its packaging to prevent damage prior to installation, we cannot accept responsibility for items damaged after delivery.

For full details of our Terms and Conditions please visit [www.supplies4heat.co.uk](http://www.supplies4heat.co.uk) or call us on 01342 306880.