

WINSFORD Ladder Rail

- Italian design & manufacture, certified to EN442
- +Valves prices include Chrome DRAKE Valves*
- 25mm Steel Straight Cross Tubes
- RAL 9016 White delivered as standard in 48-72 hours
- White RAL 9016 available for optional next day delivery (page 4)
- 25 RAL colours (page 5) delivered in up to 15 working days



+Valves Prices include Chrome DRAKE Valves in angled or straight.

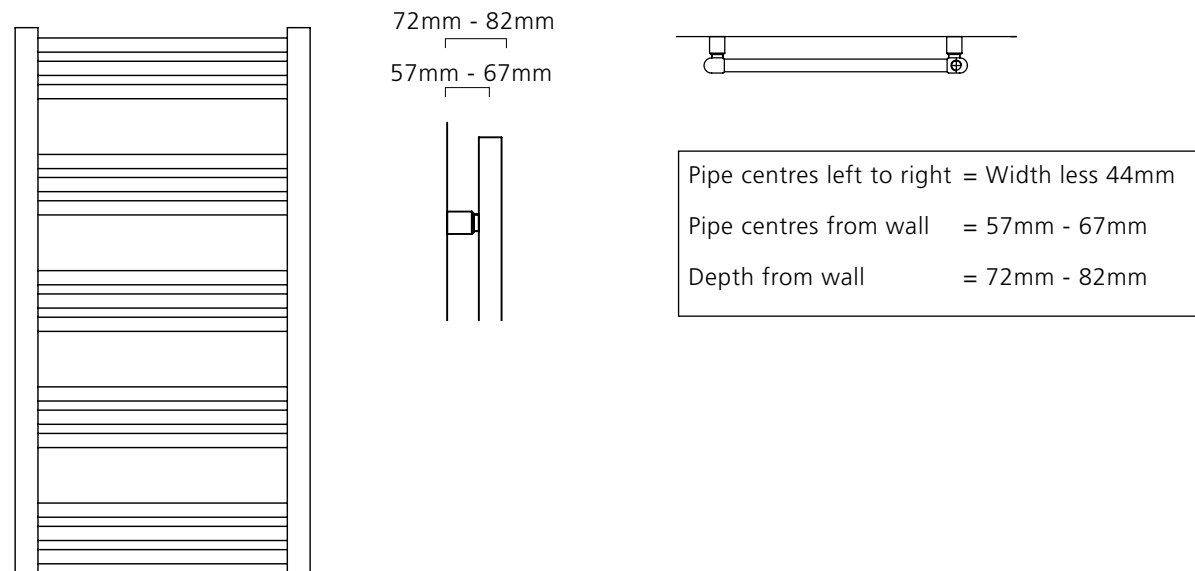
Please specify at time of order

Sizes and Prices

Dimensions (mm)		Cross Tubes	Output Δt 50°C		Product Code	White Ex VAT	White Inc VAT	Colour Ex VAT	Colour Inc VAT	White +Valves Ex VAT	White +Valves Inc VAT	Colour +Valves Ex VAT	Colour +Valves Inc VAT
Height	Width		Watts	Btu's									
759	500	12	370	1262	WINS755012	£61.00	£73.20	£147.00	£176.40	£83.00	£99.60	£169.00	£202.80
964	500	15	418	1426	WINS965015	£68.00	£81.60	£157.00	£188.40	£90.00	£108.00	£179.00	£214.80
1374	500	21	579	1976	WINS135021 ♦	£81.00	£97.20	£191.00	£229.20	£103.00	£123.60	£213.00	£255.60

*+Valves Prices include Chrome DRAKE Valves, please specify angled or straight at time of order.

Pipe Centres and Technical Drawings



RAL 9016 available for next day delivery.



Matching CHAUCER Radiator (p.44-47).



♦ WINSFORD Ladder Rail 1374mm x 500mm in RAL 9016 shown with DARWIN Valves.

25 RAL colours available; delivery in up to 15 working days, see page 5 for more information.

