

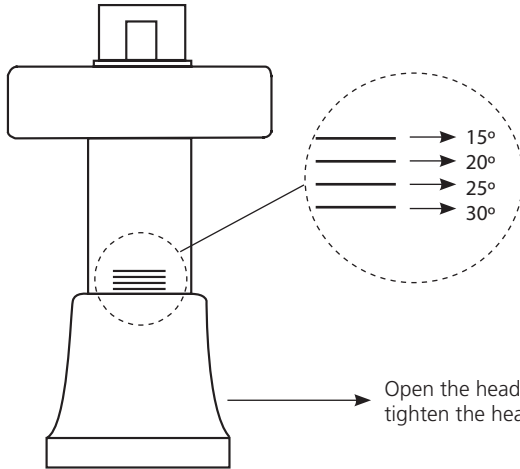
Time and care needs to be taken to avoid leaks and damaging the paint work around the bush or connector, which may lead to rusting.

Please note there are no recognised standard torque settings for tightening valve tails as each valve and radiator varies in thread grade and length by manufacturer

1. It is recommended that the thermostatic control is connected to the flow side of the radiator whenever possible.
2. Check all threads are clear of any residual paint or swarf.
3. If needed, clear radiator threads using wire wool or a thread taper, taking care to avoid scratching the painted surface.
4. For valve thread, clean with a cloth, do not use any abrasive materials.
5. Apply PTFE tape evenly to the valve tail thread. Do not use hemp. Do not apply too much PTFE as this can prevent the thread tightening fully home. Avoid “bunching” of tape in one area. Overlap the thread neatly and consistently in a clockwise direction.
6. Once the PTFE tape is applied, insert valve tail and hand tighten.
7. Make sure the PTFE tape stays on the thread rather than just running along it as you tighten the valve tail. If it does run, it is likely that too much tape has been applied.
8. Use an appropriate tool (we recommend a graduated radiator step wrench – some valve keys slip) to tighten the valve tail by an extra $\frac{1}{4}$ to $\frac{1}{2}$ turn. Do not over tighten as this can crack the paint – if you need to tighten more, take care and do so gradually.
9. Proceed slowly to avoid damaging the paint work adjacent to the valve tails, as this can lead to rust pockets at a later date.
10. Check that all connections are suitably tight with no damage or exposed PTFE tape before filling the radiator.
11. Check for leaks and tighten if required.

Please Note

Please be aware when un-packing the valve kit that the valve pin is not fixed and may fall out of the valve head



Please Note

When fully closed the valve will still operate at 6° for frost protection

Open the head fully and then hand tighten the head to the body.



When inserting the pin into the head, the white tip must be at the bottom (as shown in the diagram)

Please be aware the pin will fit loosely

