

APSLEY Towel Rail

- Manufactured and certified to EN442
- +Valves prices include Chrome DRAKE Valves*
- 22mm Cross Tubes with Extended Towel Bars & 'D' Shaped Collectors
- RAL 9016 White delivered as standard in 48-72 hours
- White RAL 9016 available for optional next day delivery (page 4)
- 25 RAL colours (page 5) delivered in up to 15 working days



+Valves Prices include Chrome DRAKE Valves in angled or straight.



Please specify at time of order

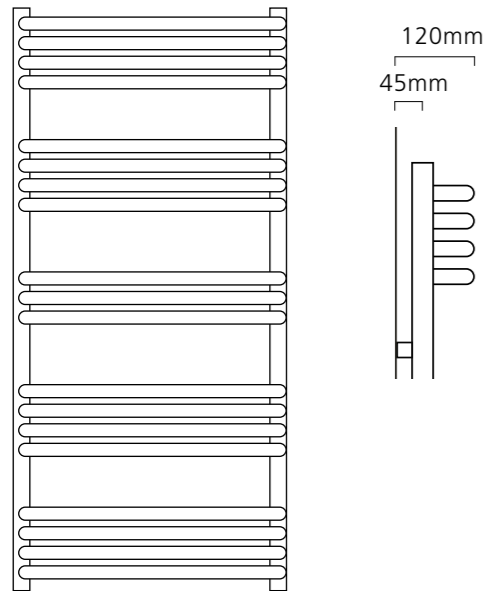
Sizes and Prices

Dimensions (mm)		Cross Tubes	Output Δt 50°C		Product Code	White Ex VAT	White Inc VAT	Colour Ex VAT	Colour Inc VAT	White +Valves Ex VAT	White +Valves Inc VAT	Colour +Valves Ex VAT	Colour +Valves Inc VAT
Height	Width		Watts	Btu's									
620	500	11	300	1024	APSL625011	£105.00	£126.00	£179.00	£214.80	£127.00	£152.40	£201.00	£241.20
	600	11	344	1174	APSL626011	£118.00	£141.60	£205.00	£246.00	£140.00	£168.00	£227.00	£272.40
900	500	16	440	1501	APSL905016 ♦	£122.00	£146.40	£207.00	£248.40	£144.00	£172.80	£229.00	£274.80
	600	16	506	1726	APSL906016	£151.00	£181.20	£239.00	£286.80	£173.00	£207.60	£261.00	£313.20
1100	500	19	540	1842	APSL115019	£132.00	£158.40	£240.00	£288.00	£154.00	£184.80	£262.00	£314.40
	600	19	622	2122	APSL116019	£169.00	£202.80	£277.00	£332.40	£191.00	£229.20	£299.00	£358.80
1300	500	24	641	2187	APSL135024	£147.00	£176.40	£270.00	£324.00	£169.00	£202.80	£292.00	£350.40
	600	24	737	2515	APSL136024	£191.00	£229.20	£308.00	£369.60	£213.00	£255.60	£330.00	£396.00

**Valves Prices include Chrome DRAKE Valves, please specify angled or straight at time of order.

The APSLEY Towel Rail is suitable for use as dual fuel, please see page 75 for available Electric Elements.

Pipe Centres and Technical Drawings



Pipe centres left to right = Width less 40mm
 Pipe centres from wall = 45mm
 Depth from wall = 120mm



RAL 9016 available for next day delivery.



APSLEY in RAL 7016.



♦APSLEY Towel Rail 900mm x 500mm, RAL 9007 shown with DRAKE Valves.

25 RAL colours available; delivery in up to 15 working days, see page 5 for more information.

