

# BOLEYN

- Classic Towel Rail with a Steel 3 Column Radiator
- Available in 2 heights and 4 widths
- Chrome with White RAL 9016 sections only
- Floor Standing or Wall Mounted options
- Dual Fuel Option available, please specify at time of order
- Manufactured and certified to EN442



## Sizes and Prices

Dimensions (mm)			Sections	Output Δt 50°C		Product Code	Price Ex VAT	Price Inc VAT
Height	Width	Depth		Watts	Btu's			
<b>Floor Standing</b>								
965	540	230	5	392	1338	BOLE965405	£345.00	£414.00
	673	230	8	554	1890	BOLE966708	£409.00	£490.80
	765	230	10	653	2228	BOLE967610	£470.00	£564.00
<b>Wall Mounted</b>								
740	675	250	8	568	1938	BOLE746708	£479.00	£574.80

## Supplement Prices for Dual Fuel Option

Description	Product Code	Price Ex VAT	Price Inc VAT
200W Dual Energy Element (for 5 Section Rail)	200WDEELE	£48.00	£57.60
400W Dual Energy Element (for 8 & 10 Section Rail)	400WDEELE	£54.00	£64.80

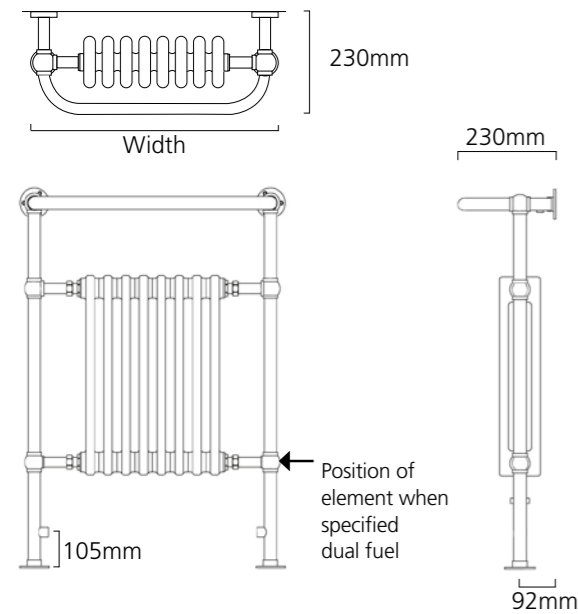
Note: A T-piece is required for dual fuel, please see the bottom of page 67 for more information.

Please Note: Elements have an IP rating of 55 and are guaranteed for 2 years.

## Pipe Centres and Technical Drawings

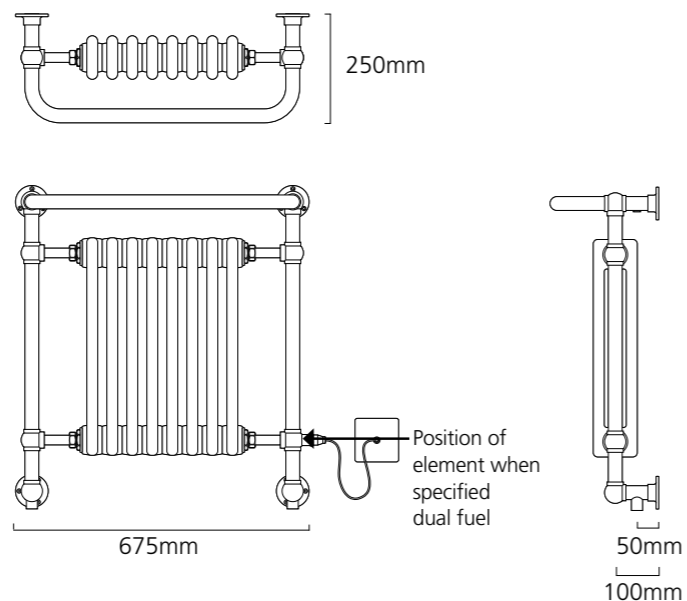
### Boleyn Floor Standing

Pipe centres left to right = Width less 145mm less valves  
 Pipe centres from wall = 92mm  
 Depth from wall = 230mm



### Boleyn Wall Mounted

Pipe centres left to right = Width less 75mm  
 Pipe centres from wall = 50mm  
 Depth from wall = 250mm



◆ BOLEYN Floor Standing 965mm x 765mm shown with WILLOW Valves.



BOLEYN Wall Mounted option available.



Chrome Pipe Covers & Shrouds (p.65)



Dual Fuel option available.