

FARADAY Vertical Fitting Instructions

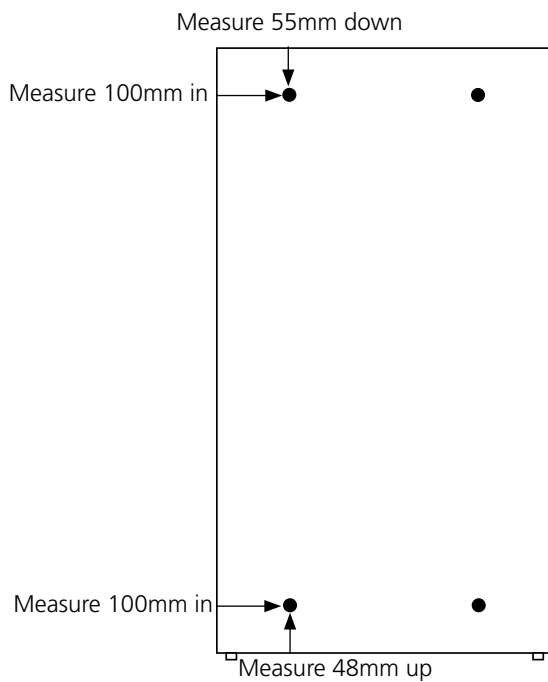
Steel Flat Panel Radiator Type 21

Please read these instructions and terms and conditions carefully prior to installation. Failure to do so may invalidate the warranty.

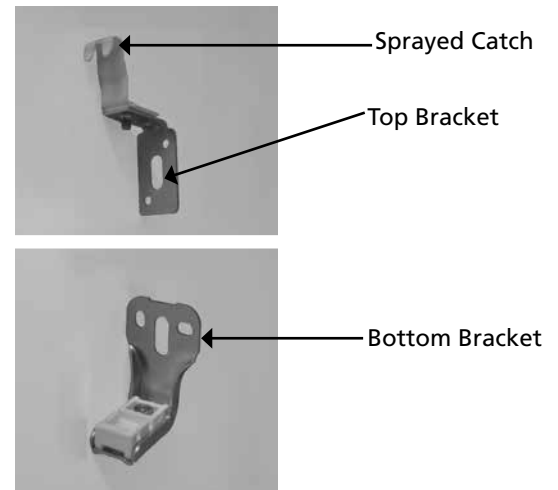


Drawings

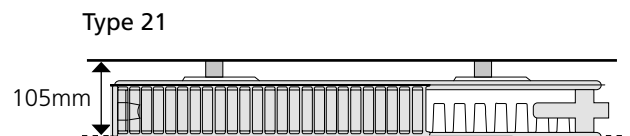
Drawing 1 - Bracket Fixing Positions



Bracket Photos



Drawing 2 - Type Profiles



Please note: the Faraday Type 21 Vertical has Underneath Valve Connections

Pipe Centres

Pipe centres left to right = width minus 50mm

Pipe centres from wall = 67mm

Depth from wall = 105mm

1. Unpack & Inspect

This product should have reached you in perfect condition. Please carefully unpack and inspect this radiator and all fittings. Your point of purchase must be notified of any shortages or damage within 28 days of delivery. For further information please see terms and conditions on reverse.

2. Contents

You should have:

- 1 Radiator
- 4 Wall Brackets
- 1 Manual Airvent
- 1 Blanking Plug
- Screws and Raw Plugs
- Towel Bar(s) if ordered

You will need:

- Tape measure
- Electric drill and bits
- Spirit level
- Airvent key
- Appropriate wall fixings
- Spanners for airvents and valves

Please see separate instructions for the optional towel bar, which should be supplied in the towel bar packaging.

Raw plugs and screws provided are for masonry walls.

Alternate methods of fixing must be sort for fixing to other surfaces.

3. Hang Radiator

Radiators are supplied with 4 brackets. 2 larger more substantial brackets with a plastic insert for the base and 2 smaller brackets with sprayed metal catch for the top (see Bracket Photos overleaf).

Please note; valve connections are underneath (Bottom Opposite End).

1. Position radiator against the wall. Mark either side of the edge of the radiator and measure 100mm inside these and mark. See Drawing 1 overleaf.

- 2.** The fixing holes for base brackets are positioned 48mm above the bottom of the radiator (see drawing 1 overleaf); in line with the 100mm marks made in the previous step, measure up from the floor to the bottom of the radiator, and then an additional 48mm (this is the distance to the brackets)
- 3.** Fix the base brackets using suitable wall fixings, ensuring they are level.
- 4.** Once the base brackets are fitted, rest the radiator on the brackets and mark the top of the radiator on the wall. Using a spirit level draw a vertical line up from the base bracket fixing point to the top of the radiator marks.
- 5.** Mark a point 55mm down from the top line corresponding with the top of the radiator. This will give fixing points for the top brackets. See Drawing 1 overleaf.
- 6.** Fix the top brackets and loosen the screws fastening the sprayed metal catches and raise them up.
- 7.** Position the radiator on the base brackets and push the top catches down to secure the top of the radiator and tighten the catches to the brackets.

4. Commission Radiator

When commissioning your radiator on an indirect/closed system we recommend using a suitable mixed metal inhibitor to protect against scale & corrosion.

Damage caused to systems not protected by a suitable inhibitor will not be covered by manufacturer's guarantee.

Technical Specifications

Materials	Steel
Connections	½" flow and return.
Test pressure	10 Bar
Testing authority	EN442
Maximum operating pressure	10 Bar
Maximum working temperature	110°C
Packaging	Wrapped in polythene with protective polystyrene ends.

PLEASE NOTE: Systems using micro bore pipework must have adequate pressure and flow rates for the number and style of radiators on the system.

Guarantees & Liabilities

This product is guaranteed for 10 years. As we are not the manufacturers of this product we will take all reasonable endeavours to make over to you the benefit of any warranty or guarantee given by the manufacturer.

The guarantees in all cases are subject to the products being installed in accordance with British and or European standards as well as these fitting instructions. The guarantees in all cases are restricted to the free of charge replacement or repair of the failed product only. Our liability will under no circumstances extend beyond the repair or replacement of the product supplied by us. Claims for either labour in replacement or damage to property are not admissible. Any goods that are returned, in the event of a problem, will belong to us.

Terms & Conditions

All products must be inspected once removed from the packaging and your point of purchase notified within 28 days of delivery of any scratches, blemishes or other damage. Your point of purchase will then agree appropriate action. Imperfect radiators should therefore not be fitted and we will not accept responsibility for replacement of scratched or damaged radiators once they have been fitted. This includes any consequential loss or cost of fitting.

If we are not notified within 28 days of the date on the signed delivery note then it will be deemed that we have fully complied with our obligations and claims will not be considered. Failure to comply with any of the above may invalidate any claims. We recommend that after you check the product on delivery that it is stored in its packaging to prevent damage prior to installation, we cannot accept responsibility for items damaged after delivery.

For full details of our Terms and Conditions please visit www.supplies4heat.co.uk or call us on 01342 306880.

www.supplies4heat.co.uk 01342 306880

A brand of **IRSAP**; Italy's leading manufacturer of design led radiators.

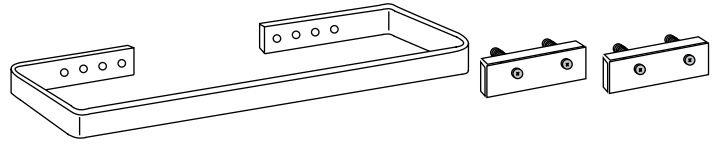
Please Note: The towel bar(s) need to be fitted before the radiator is installed.

You should have:

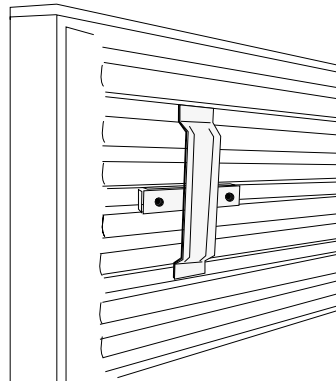
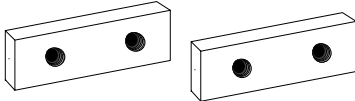
- Towel bar(s)
- 2 x brackets per towel bar
- 4 x bolts per towel bar

You will need:

- Screwdriver

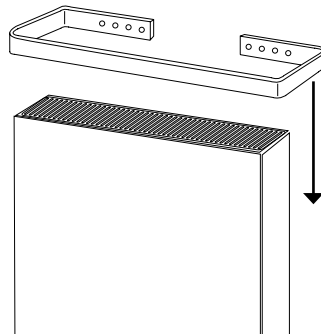


- 1** Remove the bolts from the brackets and slide one bracket into the back of each handle on the back of the radiator



- 2** Slide the towel bar down over the top of the radiator, and line up the screw holes to the bracket holes.

Please Note: If you have two towel bars, the first towel bar needs to be installed on the two bottom handles first.



- 3** Attach the towel bar to the brackets by securely fixing the bolts on each side of the bar.

