

# CLEVES

- Manufactured & certified to EN442
- +Valves prices include Chrome WILLOW Valves\*
- Classic Steel Towel Rail in Chrome, delivered as standard in 48-72 hours
- Optional next day delivery available (page 3)
- Floor Standing or Wall Mounted options
- Dual Fuel available please specify at time of order



## Sizes and Prices

Dimensions (mm)			Cross Tubes	Output Δt 50°C		Product Code	Chrome Ex VAT	Chrome Inc VAT	Chrome +Valves Ex VAT	Chrome +Valves Inc VAT
Height	Width	Depth		Watts	Btu's					
<b>Wall Mounted</b>										
750	500	125	4	169	577	CLEV75504C	£328.00	£393.60	£359.00	£430.80
<b>Floor Standing</b>										
848	598	137	4	163	556	CLEV845904C	£338.00	£405.60	£369.00	£442.80
1548	598	144	5	310	1058	CLEV155905C ♦	£411.00	£493.20	£442.00	£530.40

\*+Valve Prices include Chrome WILLOW Valves, angled only.

## Supplement Prices for Dual Fuel Option

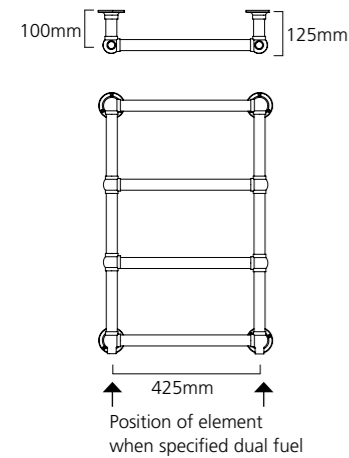
Description	Product Code	Price Ex VAT	Price Inc VAT
75W Dual Energy Element (for Floor Standing Rail)	75WDEELE	£44.00	£52.80
100W Dual Energy Element (for Wall Mounted Rail)	100WDEELE	£50.00	£60.00

Note: A T-piece is required for dual fuel, please see the bottom of page 73 for more information.

Please Note: Elements have an IP rating of 55 and are guaranteed for 2 years.

## Pipe Centres and Technical Drawings

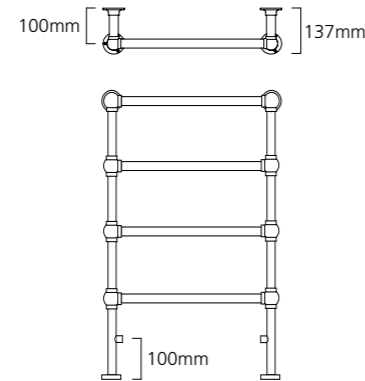
### CLEVES Wall Mounted 750mm high



Pipe centres left to right = Width less 75mm  
 Pipe centres from wall = 100mm  
 Depth from wall = 125mm

### CLEVES Floor Standing

#### 848mm high



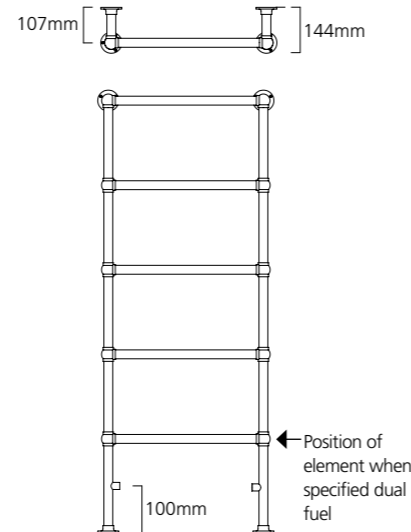
#### 848mm high

Pipe centres left to right = Width less 145mm less valves  
 Pipe centres from wall = 100mm  
 Depth from wall = 137mm

#### 1548mm high

Pipe centres left to right = Width less 145mm less valves  
 Pipe centres from wall = 107mm  
 Depth from wall = 144mm

#### 1548mm high



♦ CLEVES Floor Standing 1548mm x 598mm shown with WILLOW Valves.