

BOLEYN

- Manufactured and certified to EN442
- +Valves prices include Chrome WILLOW Valves*
- Classic Towel Rail with a Steel 3 Column Radiator
- Chrome with RAL 9016 sections, delivered as standard in 48-72 hours
- Next day delivery available (page 4)
- Dual Fuel Option available, please specify at time of order



Sizes and Prices

Dimensions (mm)			Sections	Output Δt 50°C		Product Code	Price Ex VAT	Price Inc VAT	Price +Valves Ex VAT	Price +Valves Inc VAT
Height	Width	Depth		Watts	Btu's					
Floor Standing										
965	540	230	5	392	1338	BOLE965405	£355.00	£426.00	£386.00	£463.20
	673	230	8	554	1890	BOLE966708	£421.00	£505.20	£452.00	£542.40
	765	230	10	653	2228	BOLE967610	£484.00	£580.80	£515.00	£618.00
Wall Mounted										
740	675	250	8	568	1938	BOLE746708	£493.00	£591.60	£524.00	£628.80

*+Valve Prices include Chrome WILLOW Valves, angled only.

Supplement Prices for Dual Fuel Option

Description	Product Code	Price Ex VAT	Price Inc VAT
200W Dual Energy Element (for 5 Section Rail)	200WDEELE	£49.00	£58.80
400W Dual Energy Element (for 8 & 10 Section Rail)	400WDEELE	£56.00	£67.20

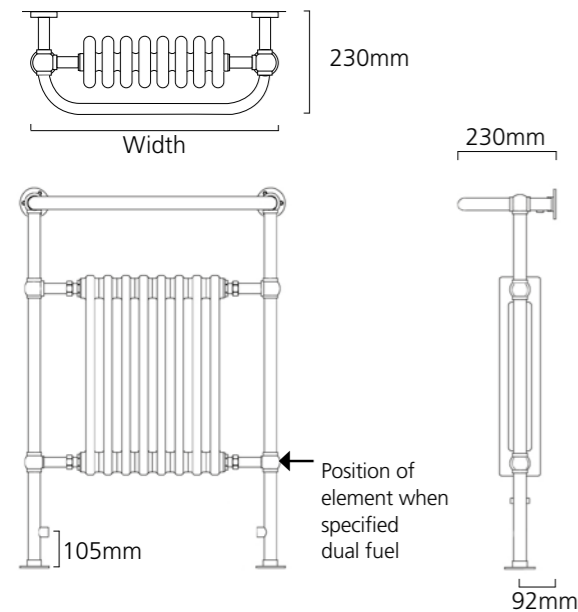
Note: A T-piece is required for dual fuel, please see the bottom of page 75 for more information.

Please Note: Elements have an IP rating of 55 and are guaranteed for 2 years.

Pipe Centres and Technical Drawings

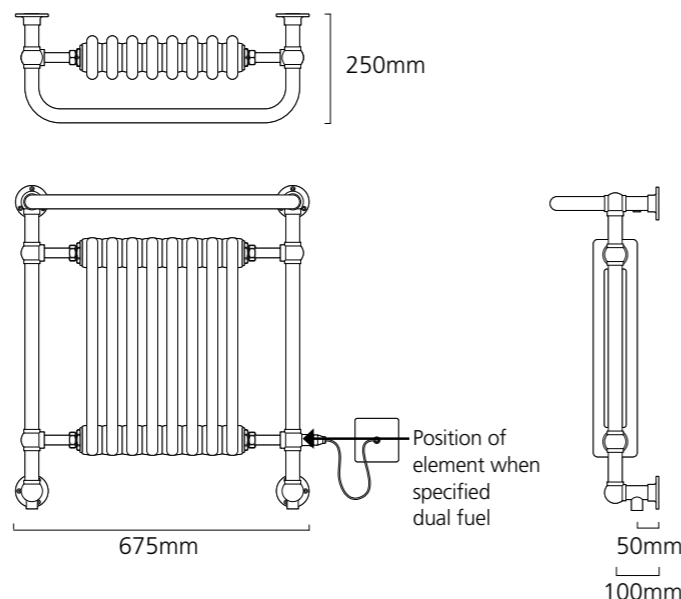
Boleyn Floor Standing

Pipe centres left to right = Width less 145mm less valves
 Pipe centres from wall = 92mm
 Depth from wall = 230mm



Boleyn Wall Mounted

Pipe centres left to right = Width less 75mm
 Pipe centres from wall = 50mm
 Depth from wall = 250mm



◆ BOLEYN Floor Standing 965mm x 765mm shown with WILLOW Valves.



BOLEYN Wall Mounted option available.



Dual Fuel option available.



+Valves Prices include Chrome WILLOW Valves

Please specify at time of order