

APSLEY Towel Rail

- Manufactured and certified to EN442
- 22mm Cross Tubes with Extended Towel Bars & 'D' Shaped Collectors
- Available in 4 heights and 2 widths
- RAL 9016 White as standard plus 25 RAL colours (page 11)
- 25 RAL colours delivered in up to 15 working days
- Supplied with 4 Wall Brackets and 1 Manual Airvent

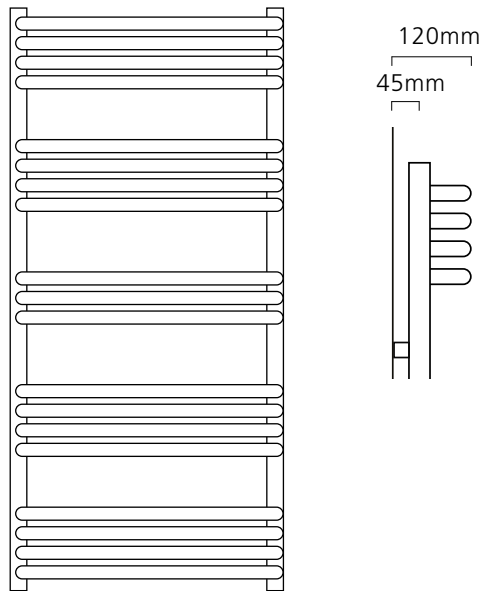


Sizes and Prices

Dimensions (mm)		Cross Tubes	Output Δt 50°C		Product Code	White Ex VAT	White Inc VAT	Colour Ex VAT	Colour Inc VAT
Height	Width		Watts	Btu's					
620	500	11	300	1024	APSL625011	£102.00	£122.40	£174.00	£208.80
	600	11	344	1174	APSL626011	£115.00	£138.00	£199.00	£238.80
900	500	16	440	1501	APSL905016	£118.00	£141.60	£201.00	£241.20
	600	16	506	1726	APSL906016	£147.00	£176.40	£232.00	£278.40
1100	500	19	540	1842	APSL115019	£128.00	£153.60	£233.00	£279.60
	600	19	622	2122	APSL116019	£164.00	£196.80	£269.00	£322.80
1300	500	24	641	2187	APSL135024	£143.00	£171.60	£262.00	£314.40
	600	24	737	2515	APSL136024	£185.00	£222.00	£299.00	£358.80

The APSLEY Towel Rail is suitable for use as dual fuel, please see page 67 for available Electric Elements.

Pipe Centres and Technical Drawings



Pipe centres left to right = Width less 40mm
 Pipe centres from wall = 45mm
 Depth from wall = 120mm



APSLEY in RAL 9016.



APSLEY in RAL 7016.



DRAKE Valves from £38.40 (p.62).



◆APSLEY Towel Rail 900mm x 500mm, RAL 9007 shown with DRAKE valves.

25 RAL colours available; delivery in up to 15 working days, see pages 10-11 for more information.

