

CLEVES

- Manufactured & certified to EN442
- +Valves prices include Chrome WILLOW Valves*
- Classic Steel Towel Rail in Chrome, delivered as standard in 48-72 hours
- Optional next day delivery available (page 3)
- Floor Standing or Wall Mounted options
- Dual Fuel available please specify at time of order



Sizes and Prices

Dimensions (mm)			Cross Tubes	Output Δt 50°C		Product Code	Chrome Ex VAT	Chrome Inc VAT	Chrome +Valves Ex VAT	Chrome +Valves Inc VAT
Height	Width	Depth		Watts	Btu's					
Wall Mounted										
750	500	125	4	169	577	CLEV75504C	£328.00	£393.60	£359.00	£430.80
Floor Standing										
848	598	137	4	163	556	CLEV845904C	£338.00	£405.60	£369.00	£442.80
1548	598	144	5	310	1058	CLEV155905C	£411.00	£493.20	£442.00	£530.40

*+Valve Prices include Chrome WILLOW Valves, angled only.

Supplement Prices for Dual Fuel Option

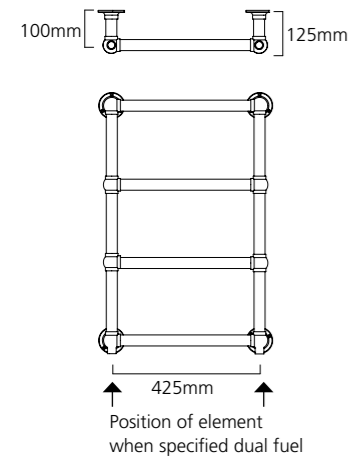
Description	Product Code	Price Ex VAT	Price Inc VAT
75W Dual Energy Element (for Floor Standing Rail)	75WDEELE	£44.00	£52.80
100W Dual Energy Element (for Wall Mounted Rail)	100WDEELE	£50.00	£60.00

Note: A T-piece is required for dual fuel, please see the bottom of page 73 for more information.

Please Note: Elements have an IP rating of 55 and are guaranteed for 2 years.

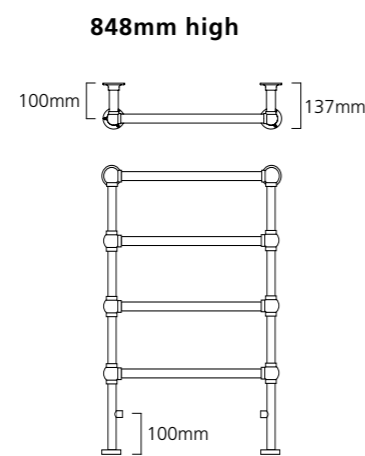
Pipe Centres and Technical Drawings

CLEVES Wall Mounted 750mm high



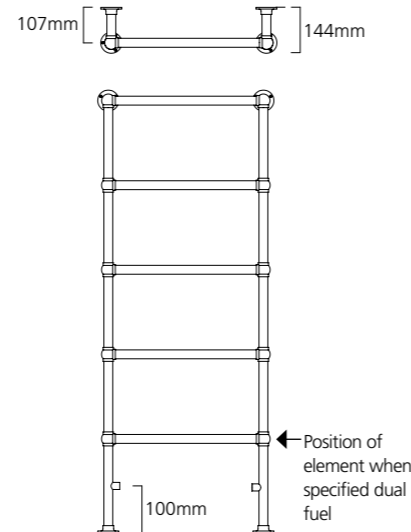
Pipe centres left to right = Width less 75mm
 Pipe centres from wall = 100mm
 Depth from wall = 125mm

CLEVES Floor Standing 848mm high



848mm high
 Pipe centres left to right = Width less 145mm less valves
 Pipe centres from wall = 100mm
 Depth from wall = 137mm

1548mm high



1548mm high
 Pipe centres left to right = Width less 145mm less valves
 Pipe centres from wall = 107mm
 Depth from wall = 144mm



CLEVES Floor Standing option.



CLEVES Wall Mounted option.



◆ CLEVES Floor Standing 1548mm x 598mm shown with WILLOW Valves.