

# LANARK Stainless Steel

- Manufactured and certified to EN442
- +Valves prices include Chrome DRAKE Valves\*
- 22mm Cross Tube Stainless Steel Towel Rail
- Polished Stainless Steel finish, delivered as standard in 48-72 hours
- Optional next day delivery available (page 3)
- Suitable for direct systems



## Sizes and Prices

Dimensions (mm)		Cross Tubes	Output Δt 50°C		Product Code	Price Ex VAT	Price Inc VAT	Price +Valves Ex VAT	Price +Valves Inc VAT
Height	Width		Watts	Btu's					
<b>Straight</b>									
800	500	12	198	676	LANS8050SS	£246.00	£295.20	£268.00	£321.60
	600	12	233	795	LANS8060SS	£270.00	£324.00	£292.00	£350.40
1200	500	18	314	1071	LANS1250SS	£335.00	£402.00	£357.00	£428.40
	600	18	371	1266	LANS1260SS	£373.00	£447.60	£395.00	£474.00
<b>Curved</b>									
800	500	12	198	676	LANC8050SS	£268.00	£321.60	£290.00	£348.00
	600	12	233	795	LANC8060SS	£293.00	£351.60	£315.00	£378.00
1200	500	18	314	1071	LANC1250SS	£379.00	£454.80	£401.00	£481.20
	600	18	371	1266	LANC1260SS	£400.00	£480.00	£422.00	£506.40

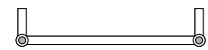
\*+Valves Prices include Chrome DRAKE Valves, please specify angled or straight at time of order.

The LANARK is suitable for use as dual fuel, please see page 73 for available Electric Elements.

## Pipe Centres and Technical Drawings

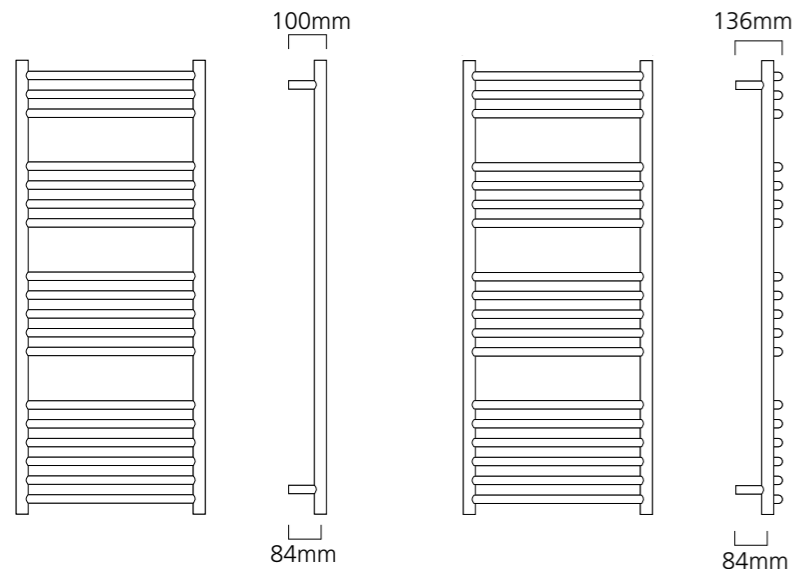
### Straight Ladder Rail

#### Straight Profile



### Curved Ladder Rail

#### Curved Profile



**Lanark Straight**  
 Pipe centres left to right = Width less 32mm  
 Pipe centres from wall = 84mm  
 Depth from wall = 100mm

**Lanark Curved**  
 Pipe centres left to right = Width less 32mm  
 Pipe centres from wall = 84mm  
 Depth from wall = 136mm

+Valves Prices include Chrome DRAKE Valves in angled or straight.



Please specify at time of order



LANARK Curved option.



LANARK with DRAKE Valves



◆LANARK Straight 1200mm x 500mm shown with DRAKE Valves.