

CLEVES

- Manufactured & certified to EN442
- +Valves prices include Chrome WILLOW Valves*
- Classic Steel Towel Rail in Chrome, delivered as standard in 48-72 hours
- Next day delivery available (page 4)
- Floor Standing or Wall Mounted options
- Dual Fuel available please specify at time of order



Sizes and Prices

| Dimensions (mm) | | | Cross Tubes | Output Δt 50°C | | Product Code | Chrome Ex VAT | Chrome Inc VAT | Chrome +Valves Ex VAT | Chrome +Valves Inc VAT |
|-----------------------|-------|-------|-------------|----------------|-------|--------------|---------------|----------------|-----------------------|------------------------|
| Height | Width | Depth | | Watts | Btu's | | | | | |
| Wall Mounted | | | | | | | | | | |
| 750 | 500 | 125 | 4 | 169 | 577 | CLEV75504C | £328.00 | £393.60 | £359.00 | £430.80 |
| Floor Standing | | | | | | | | | | |
| 848 | 598 | 137 | 4 | 163 | 556 | CLEV845904C | £338.00 | £405.60 | £369.00 | £442.80 |
| 1548 | 598 | 144 | 5 | 310 | 1058 | CLEV155905C | £411.00 | £493.20 | £442.00 | £530.40 |

*+Valve Prices include Chrome WILLOW Valves, angled only.

Supplement Prices for Dual Fuel Option

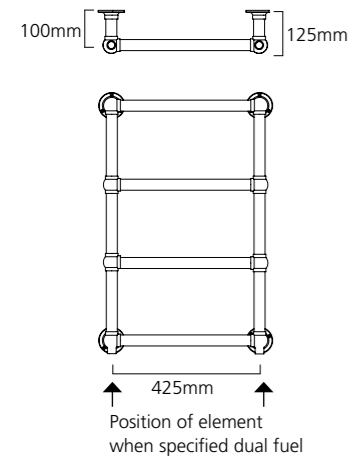
| Description | Product Code | Price Ex VAT | Price Inc VAT |
|---|--------------|--------------|---------------|
| 75W Dual Energy Element (for Floor Standing Rail) | 75WDEELE | £44.00 | £52.80 |
| 100W Dual Energy Element (for Wall Mounted Rail) | 100WDEELE | £50.00 | £60.00 |

Note: A T-piece is required for dual fuel, please see the bottom of page 75 for more information.

Please Note: Elements have an IP rating of 55 and are guaranteed for 2 years.

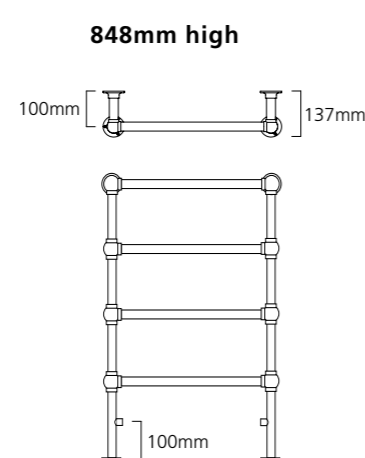
Pipe Centres and Technical Drawings

CLEVES Wall Mounted 750mm high



Pipe centres left to right = Width less 75mm
 Pipe centres from wall = 100mm
 Depth from wall = 125mm

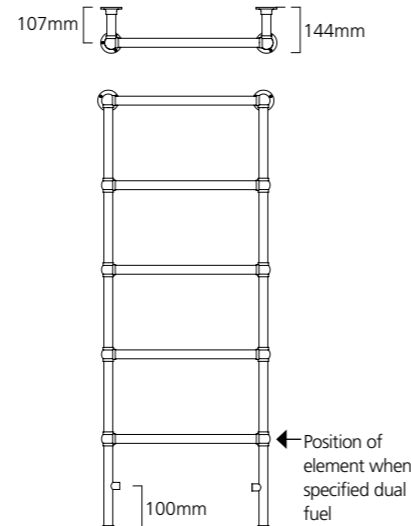
CLEVES Floor Standing 848mm high



848mm high
 Pipe centres left to right = Width less 145mm less valves
 Pipe centres from wall = 100mm
 Depth from wall = 137mm

1548mm high
 Pipe centres left to right = Width less 145mm less valves
 Pipe centres from wall = 107mm
 Depth from wall = 144mm

1548mm high



CLEVES Floor Standing option.



CLEVES Wall Mounted option.



◆ CLEVES Floor Standing 1548mm x 598mm shown with WILLOW Valves.